

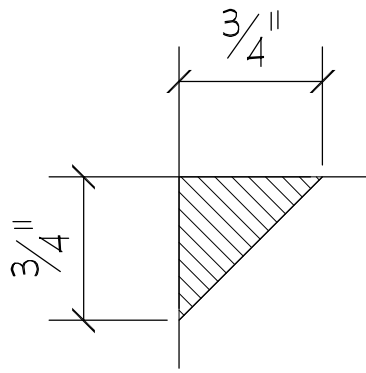
TYP CHAMFERS

WE RECOMMEND $\frac{3}{4}$ " AS A MINIMUM.



P.O. BOX 539
REDMOND, WA 98073-0539
PHONE 425.868.1922, FAX 425.868.1400

www.olymprecast.com



TYP CHAMFER



**OLYMPIAN
PRECAST, INC.**

P.O. BOX 539
REDMOND, WA 98073-0539
PHONE 425.868.1922, FAX 425.868.1400

www.olymprecast.com