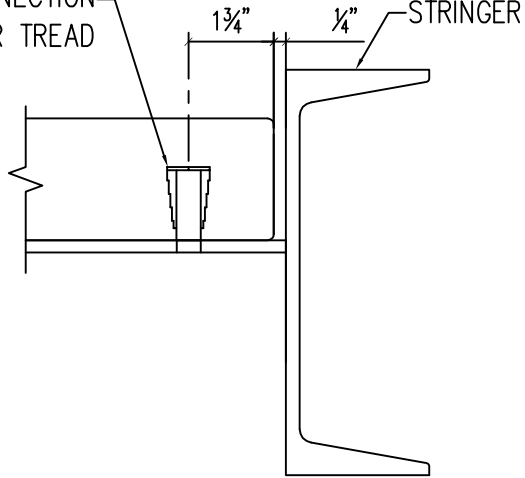
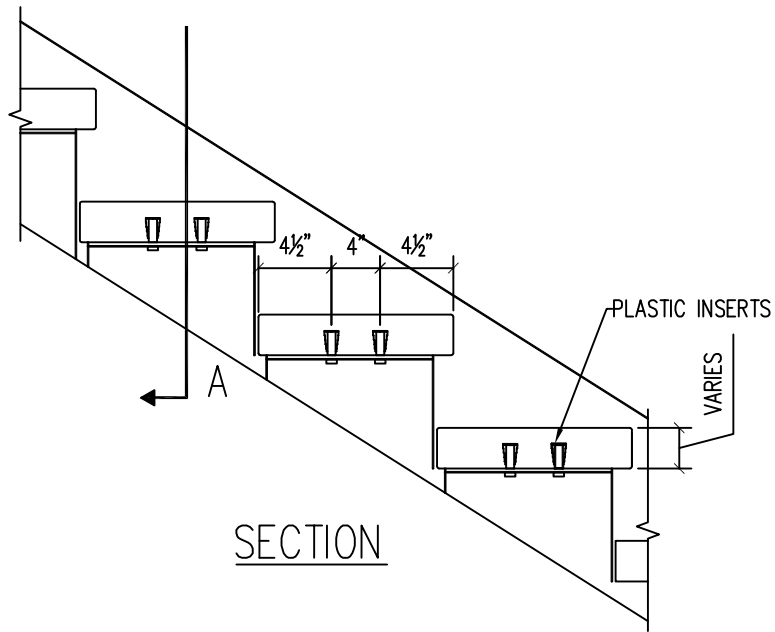


BOLTED CONNECTION  
(4) PER TREAD



DETAIL A  
PARTIAL FRONT VIEW



SECTION

OPTION 2  
TYP BOLTED STAIR TREAD  
CONNECTION.



P.O. BOX 539  
REDMOND, WA 98073-0539  
PHONE 425.868.1922, FAX 425.868.1400

[www.olyprecast.com](http://www.olyprecast.com)