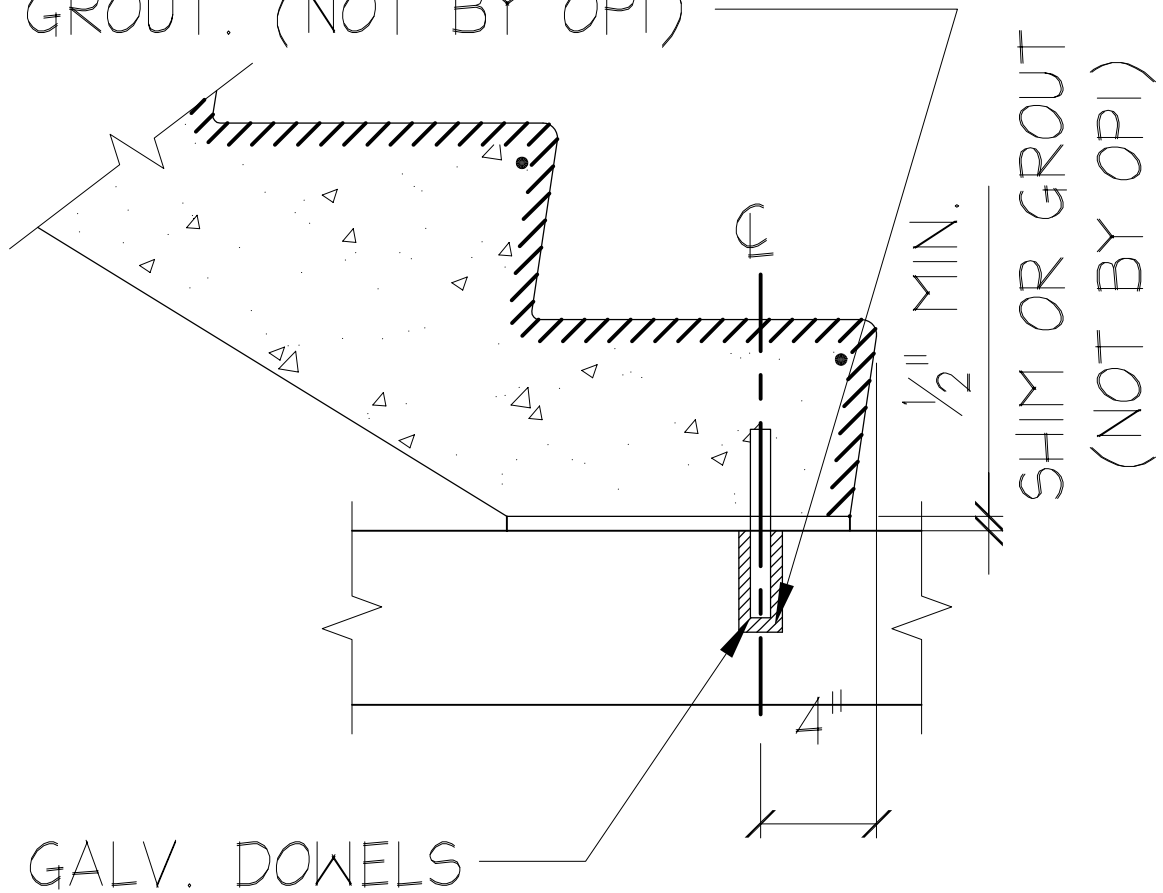


PROVIDE OR DRILL HOLE.
FILL W/ NON-SHRINK
GROUT. (NOT BY OPI)



TYP STAIR TO FLOOR CONNECTION



P.O. BOX 539
REDMOND, WA 98073-0539
PHONE 425.868.1922, FAX 425.868.1400

www.olymprecast.com