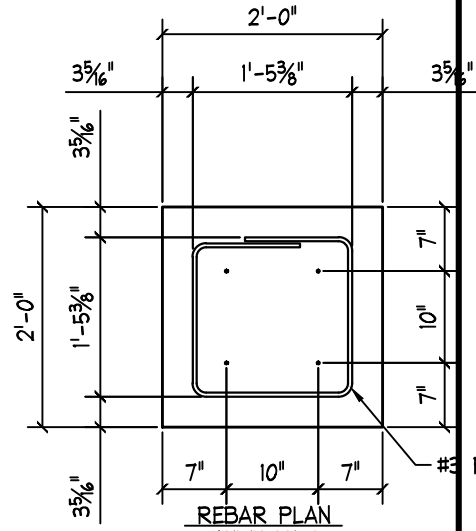
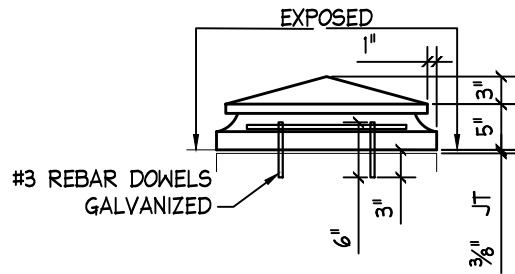


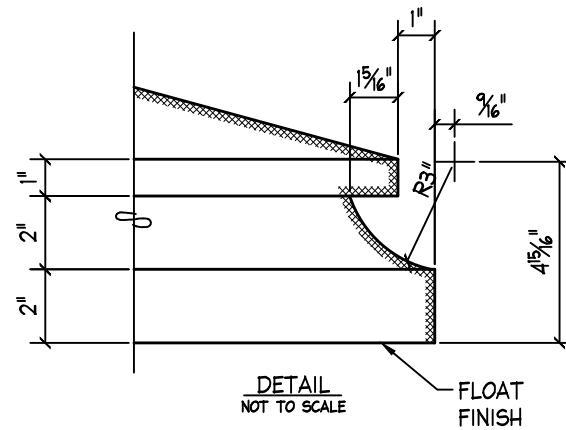
PLAN  
NOT TO SCALE



REBAR PLAN  
NOT TO SCALE



ELEVATION  
NOT TO SCALE



DETAIL  
NOT TO SCALE



P.O. BOX 539  
REDMOND, WA 98073-0539  
PHONE 425.868.1922, FAX 425.868.1400  
www.olyprecast.com

Job Name	SKAGIT CAP	
Job No.	Sheet:	
Drn. By	Date:	7/18/2009