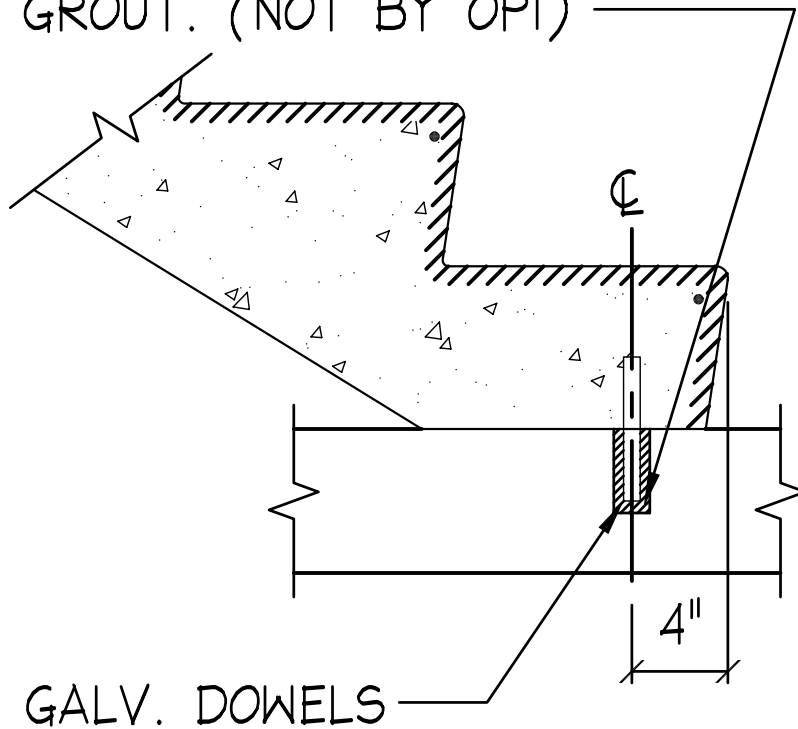


PROVIDE OR DRILL HOLE.  
FILL W/ NON-SHRINK  
GROUT. (NOT BY OPI)



# TYP STAIR TO FLOOR CONNECTION

SCALE:



**OLYMPIAN PRECAST INC.**

P.O. BOX 539 - REDMOND, WA 98073-0539 - PHONE 425.868.1922  
eMail: [drafting@olymprecast.com](mailto:drafting@olymprecast.com) FAX: 425.868.1400

Drn. By **JRS**

Date

Job Name

Job No.

Sheet

**S4**