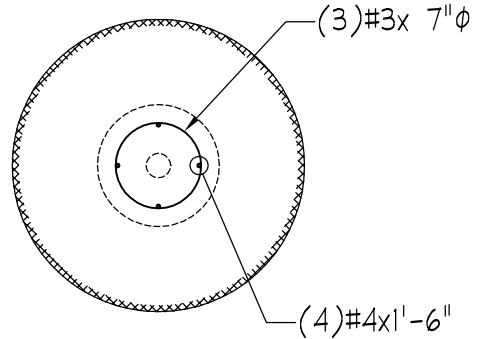
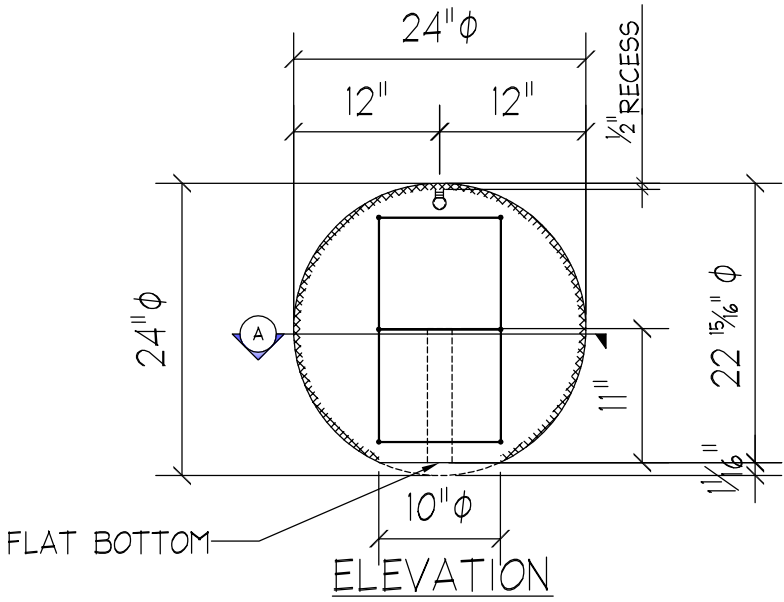


PLAN VIEW



SECTION A



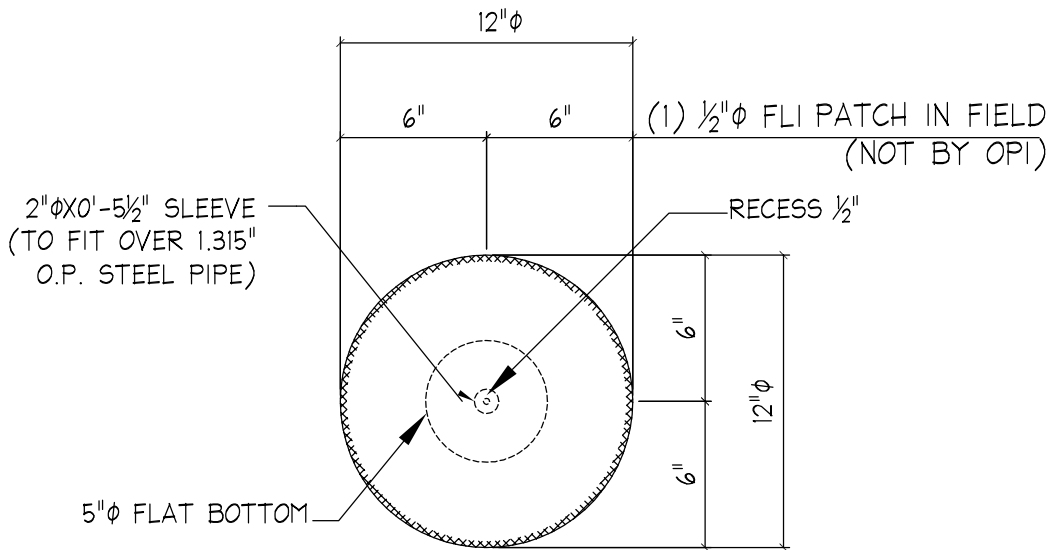
ELEVATION

12 REQ'D MK# S1 WT.650#

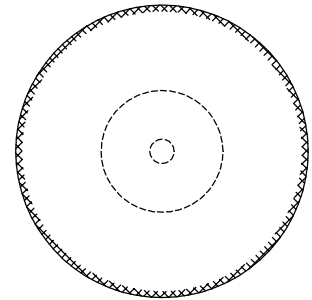


P.O. BOX 539
 REDMOND, WA 98073-0539
 PHONE 425.868.1922, FAX 425.868.1400
 www.olymprecast.com

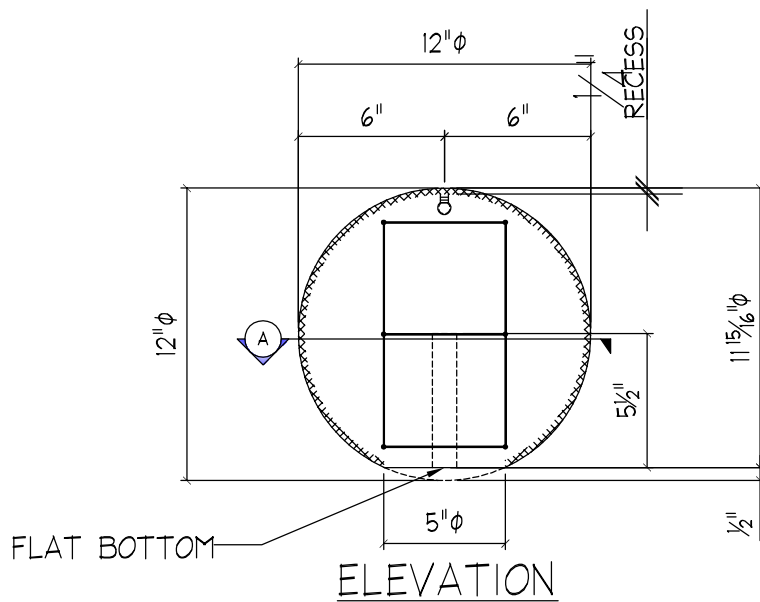
Job Name	PC BALL	
Job No.		Sheet:
Drn. By		Date: 7/18/2009



PLAN VIEW



SECTION A



P.O. BOX 539
REDMOND, WA 98073-0539
PHONE 425.868.1922, FAX 425.868.1400
www.olymprecast.com

Job Name	PC BALL	
Job No.		Sheet:
Drn. By		Date: 7/18/2009