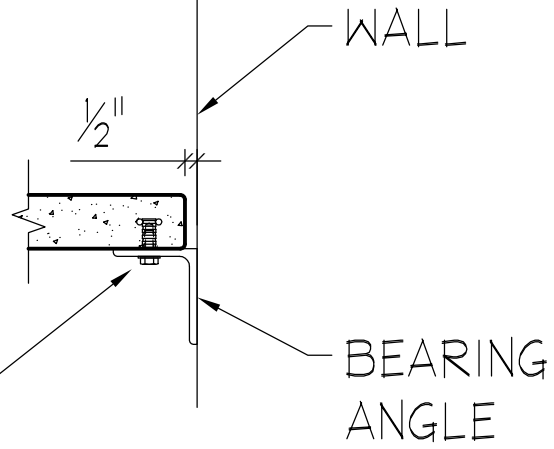
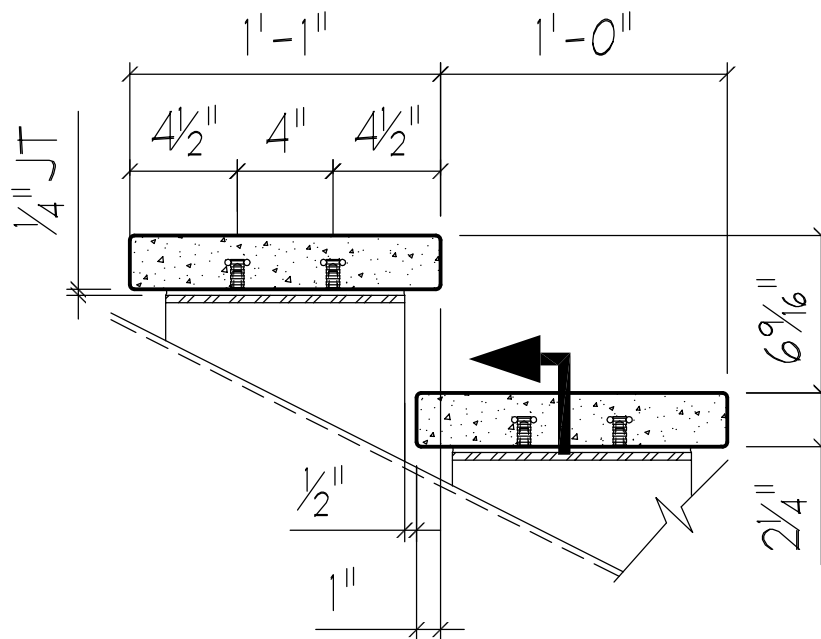


BOLTED CONNECTION
(2) PER TREAD



SECTION



TYP BOLTED STAIR TREAD CONNECTION



P.O. BOX 539
REDMOND, WA 98073-0539
PHONE 425.868.1922, FAX 425.868.1400

www.olymprecast.com