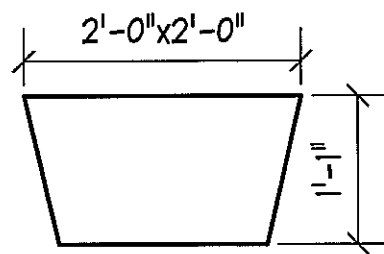
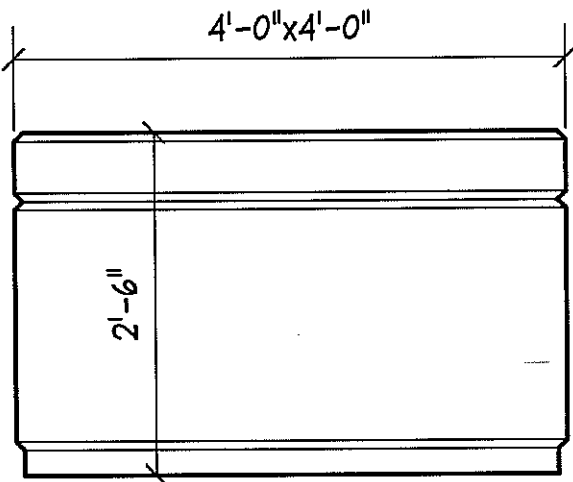


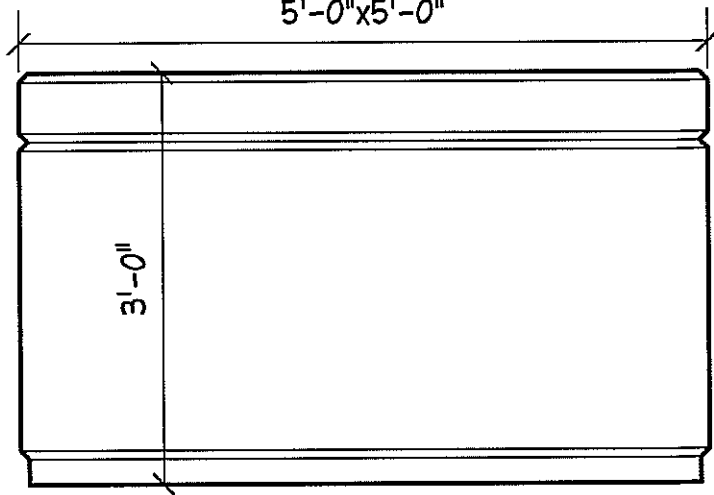
P21
WT. 1,800#



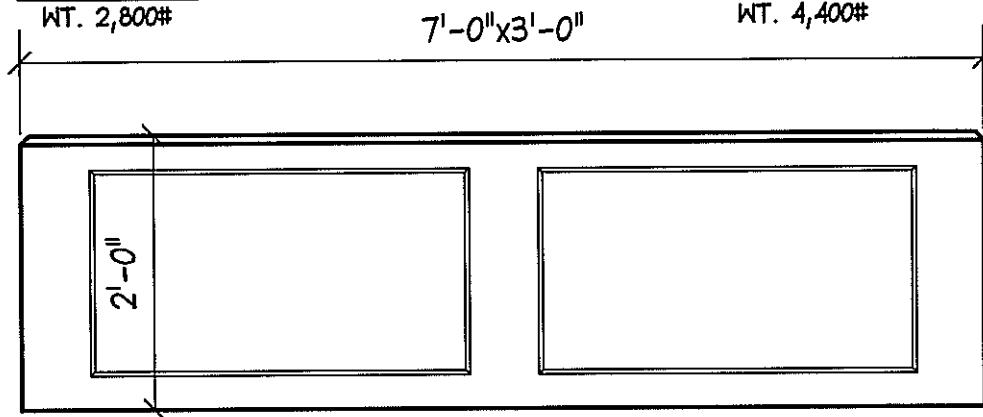
P27
WT. 300#
5'-0" x 5'-0"



P28
WT. 2,800#



P29
WT. 4,400#



P30
WT. 2,870#

PLANTERS

SCALE:



OLYMPIAN PRECAST INC.
P.O. BOX 539 - REDMOND, WA 98073-0539 - PHONE 425.868.1922
eMail: dralling@olymprecast.com FAX: 425.868.1400

Drn. By <u>JRS</u>	Date
Job Name <u>Planters</u>	
Job No.	Sheet