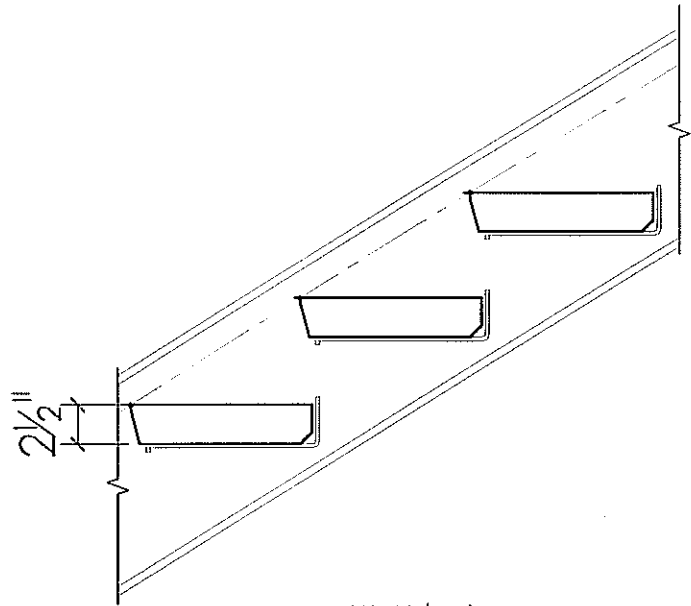
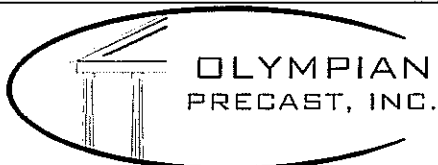
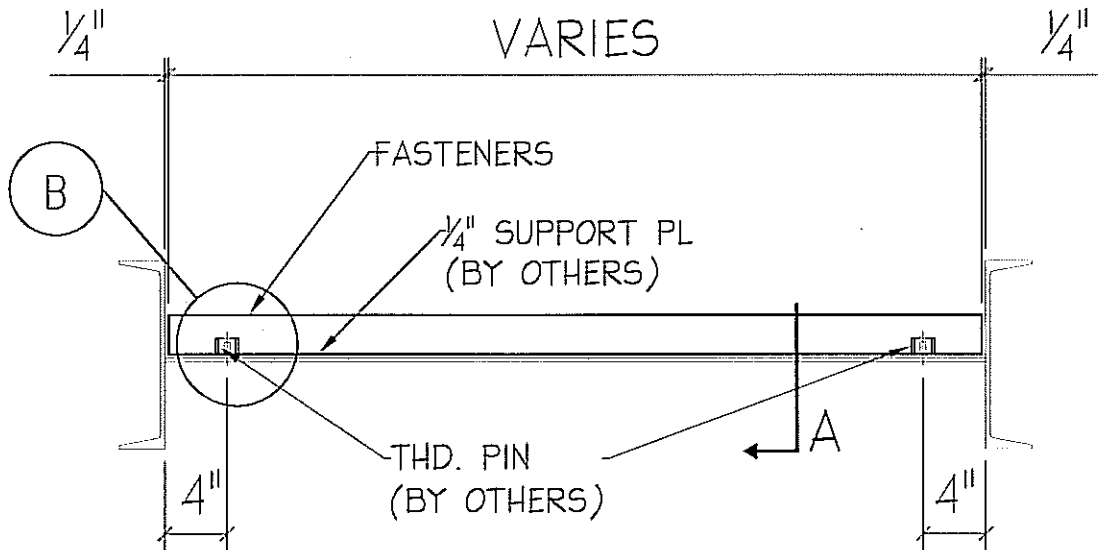


**DETAIL B**  
**TYP. PIN STAIR**  
**TREAD CONNECTION**



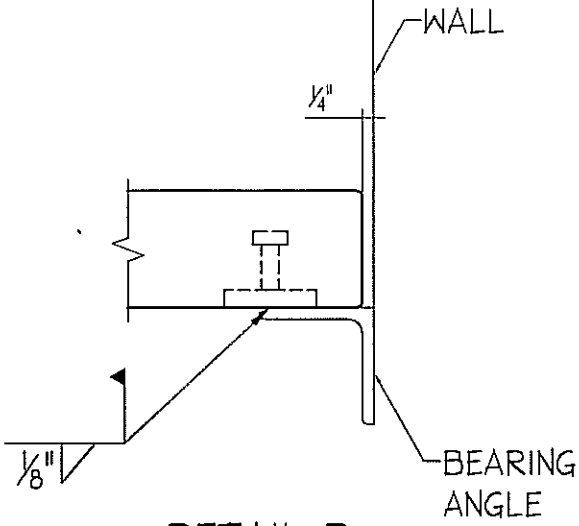
**SECTION A**



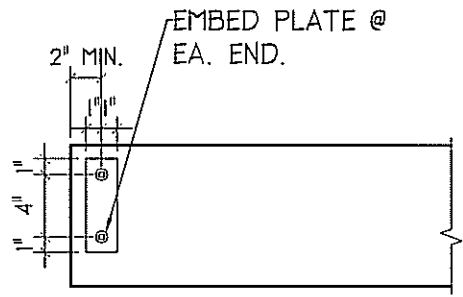
P.O. BOX 539  
 REDMOND, WA 98073-0539  
 PHONE 425.868.1922, FAX 425.868.1400  
 www.olymprecast.com

TYP. DOWEL STAIR TREAD CONNECTION.

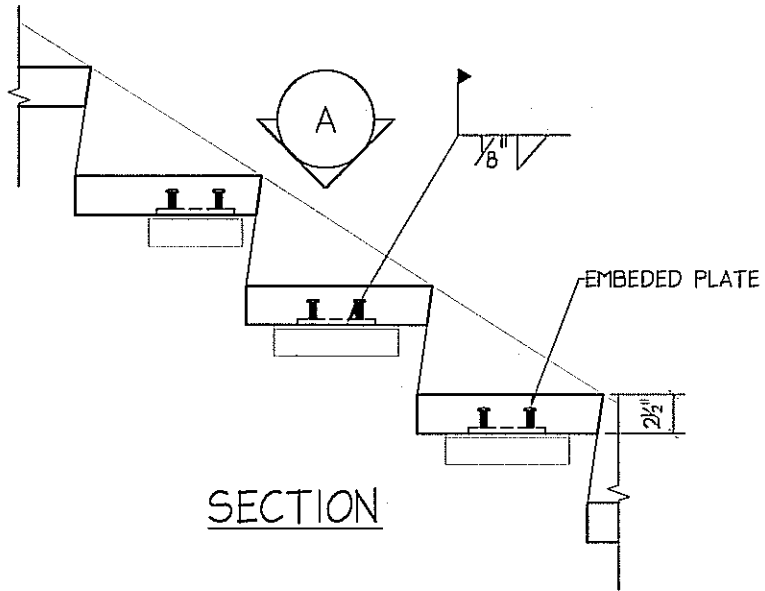
Sheet:	T1
Drn. By	KS
Date:	3/17/2009



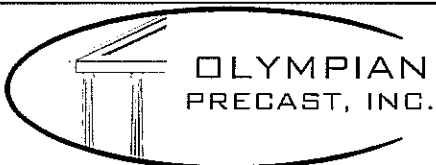
DETAIL B  
PARTIAL FRONT VIEW



DETAIL A  
PARTIAL TOP VIEW



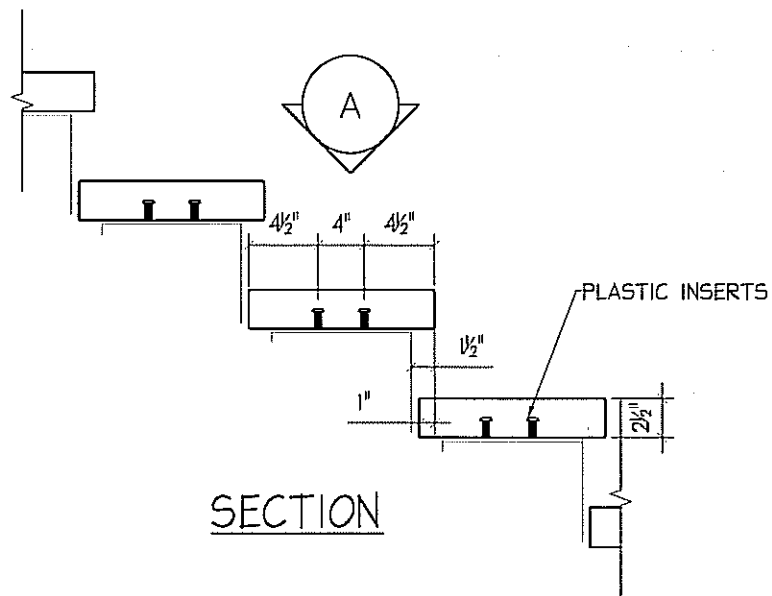
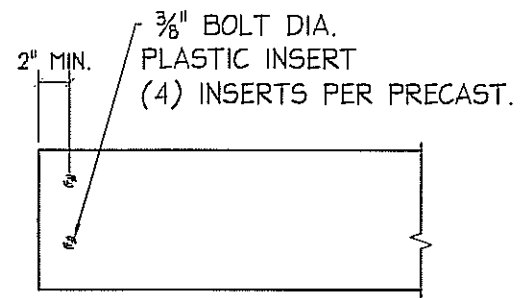
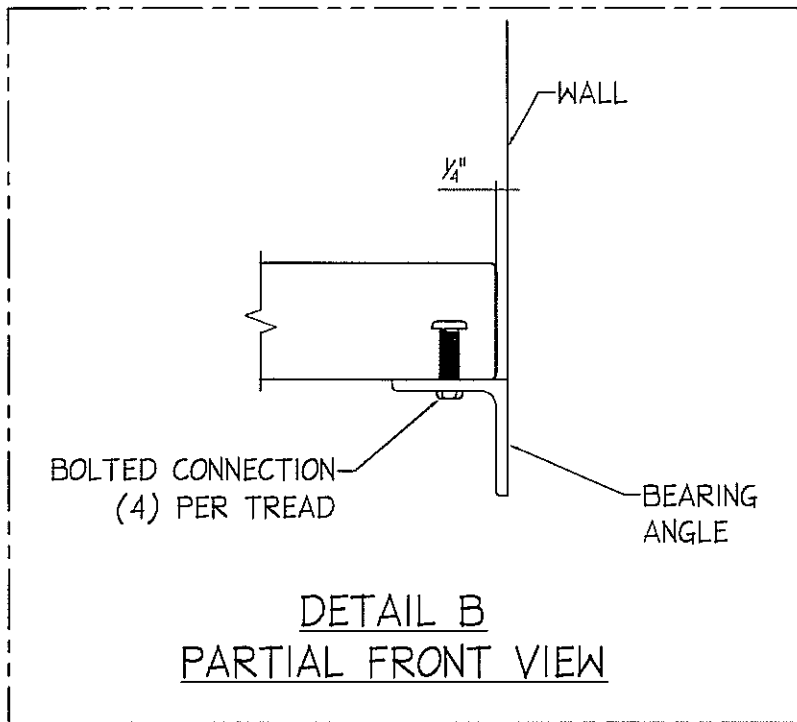
SECTION



P.O. BOX 539  
REDMOND, WA 98073-0539  
PHONE 425.868.1922, FAX 425.868.1400  
www.olymprecast.com

HAS @ PRECAST TREADS.

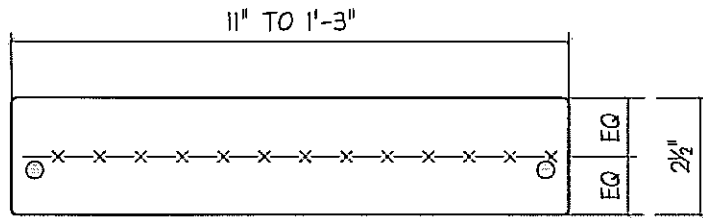
Sheet:	T2
Date:	3/17/2009
Drn. By	KS



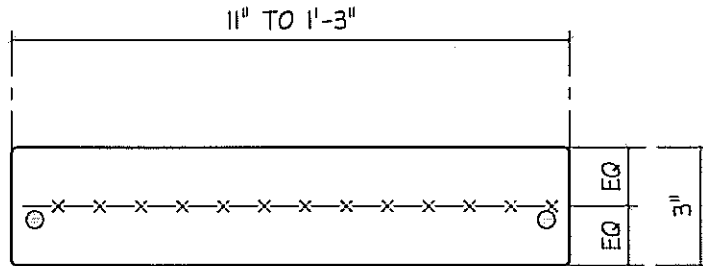
P.O. BOX 539  
REDMOND, WA 98073-0539  
PHONE 425.868.1922, FAX 425.868.1400  
www.olymprecast.com

**TYP BOLTED STAIR TREAD CONNECTION**

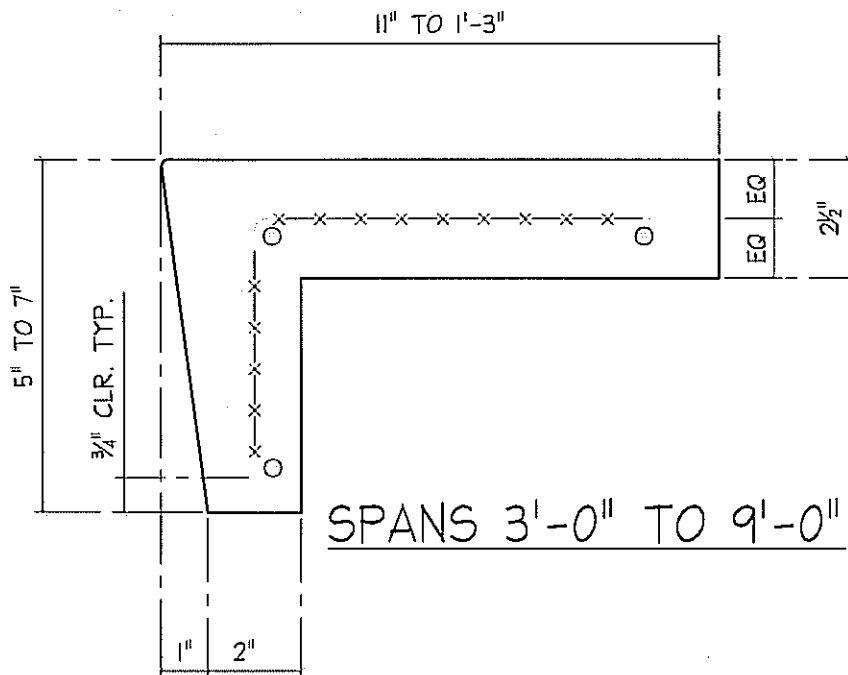
Sheet:	T3
Drn. By	KS
Date:	3/17/2009



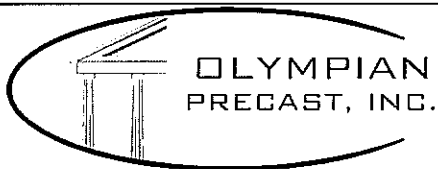
SPANS 3'-0" TO 6'-0"



SPANS 3'-0" TO 9'-0"



SPANS 3'-0" TO 9'-0"



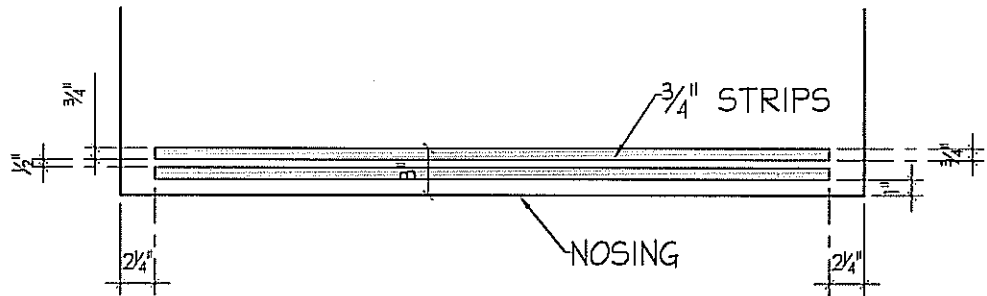
**OLYMPIAN  
PRECAST, INC.**

P.O. BOX 539  
REDMOND, WA 98073-0539  
PHONE 425.868.1922, FAX 425.868.1400

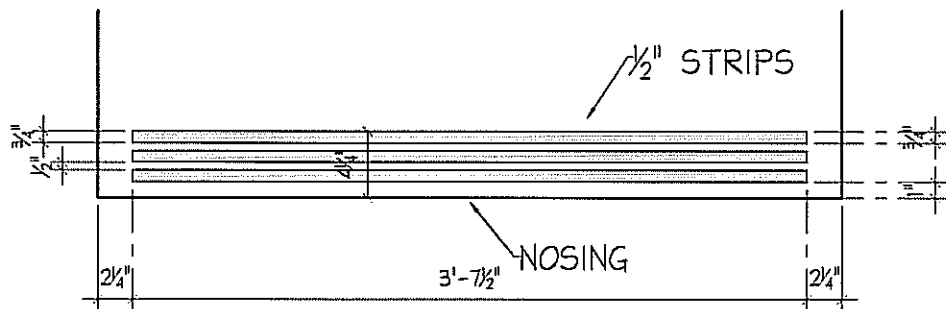
www.olymprecast.com

**STAIR TREAD REINFORCING**

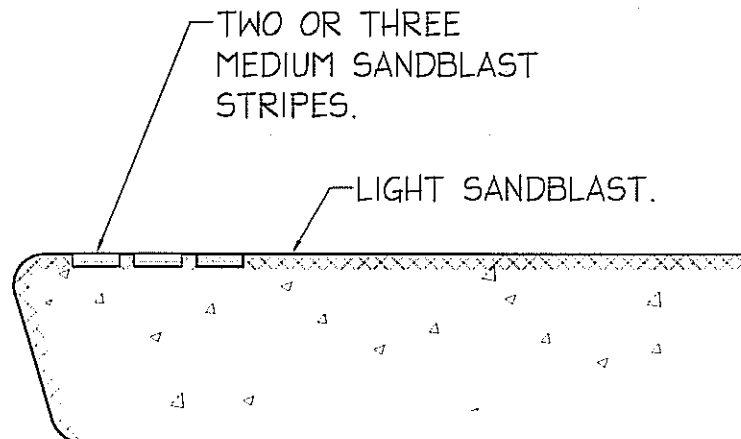
		Sheet: T4
Drn. By KS	Date: 3/17/2009	



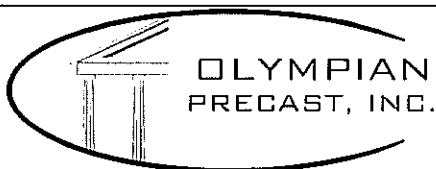
TREAD PLAN W/2 STRIPES



TREAD PLAN W/3 STRIPES



ENLARGED  
TREAD END VIEW



P.O. BOX 539  
 REDMOND, WA 98073-0539  
 PHONE 425.868.1922, FAX 425.868.1400  
 www.olymprecast.com

STAIR TREAD SANDBLAST TEMPLATE

Sheet:	T5
Drn. By	KS
Date:	3/17/2009