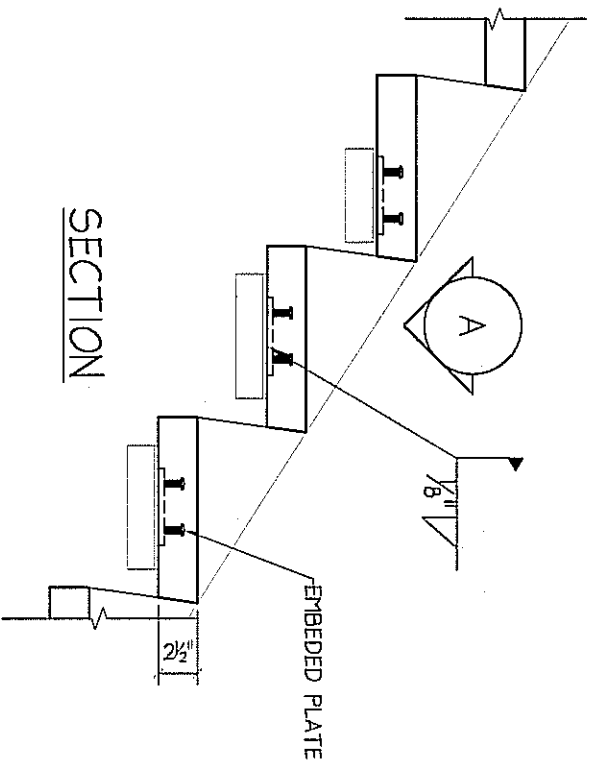
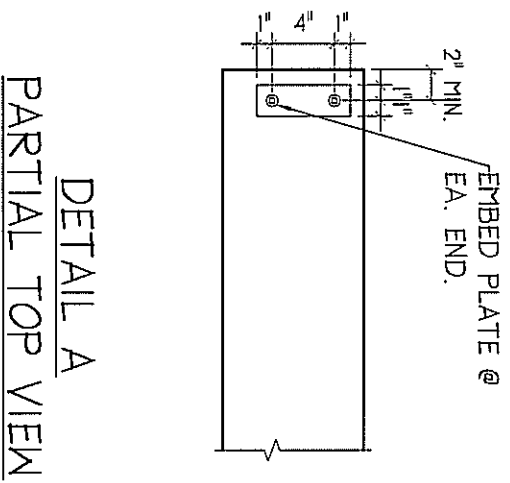
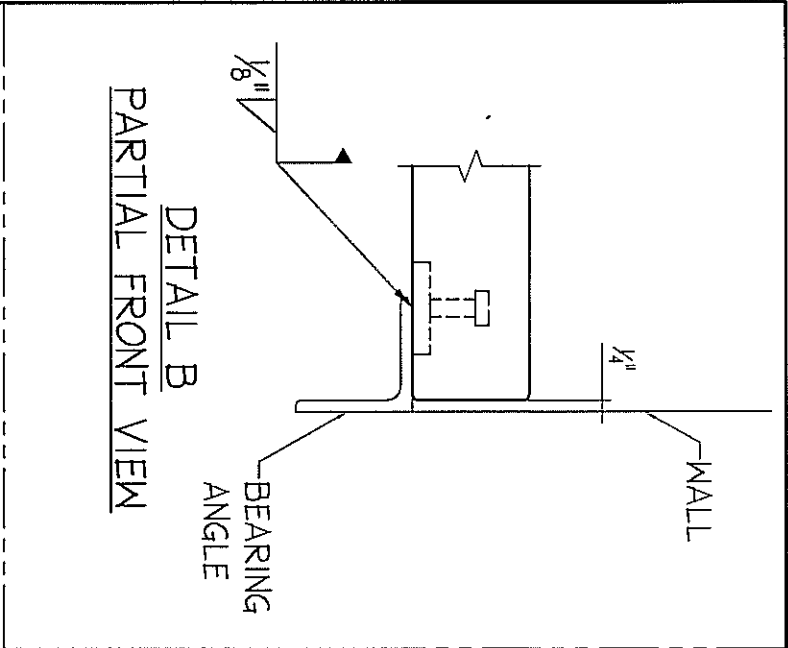


P.O. BOX 539
REDMOND, WA 98073-0539
PHONE 425.868.1922, FAX 425.868.1400
www.olymprecast.com

TYP. DOWEL STAIR TREAD CONNECTION.	
Dim. By	KS
Sheet:	T1
Date:	3/17/2009



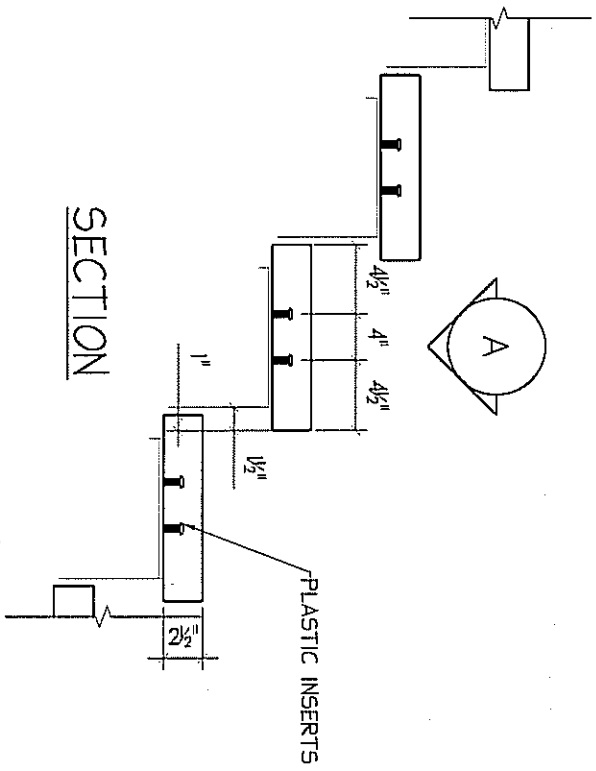
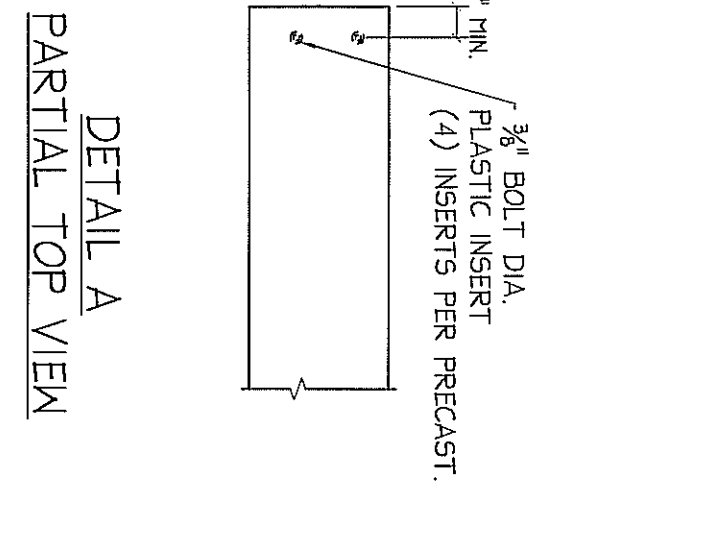
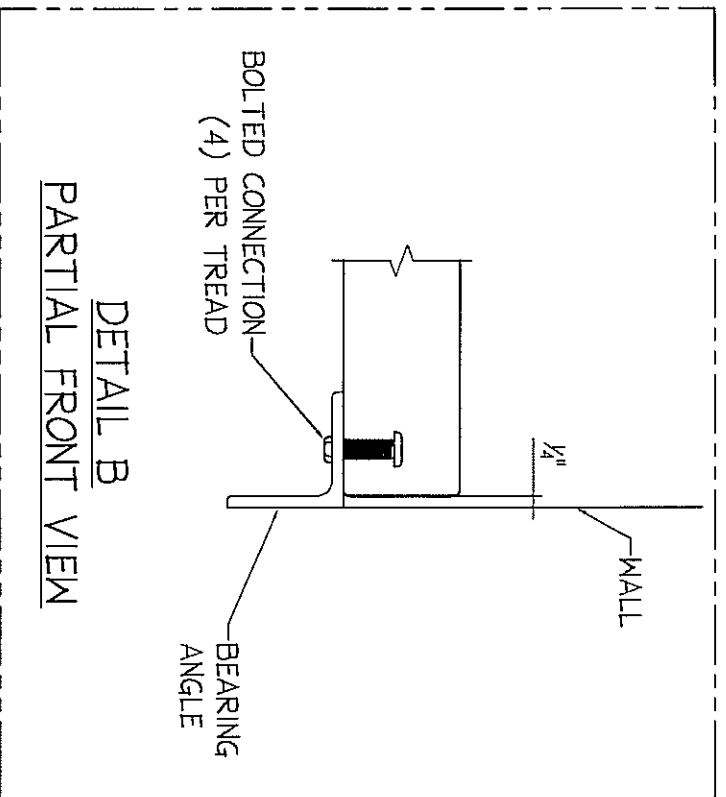

P.O. BOX 539
REDMOND, WA 98073-0539
PHONE 425.868.1922, FAX 425.868.1400
www.olymprecast.com

HAS @ PRECAST TREADS.

Sheet: T2

Dim. By KS

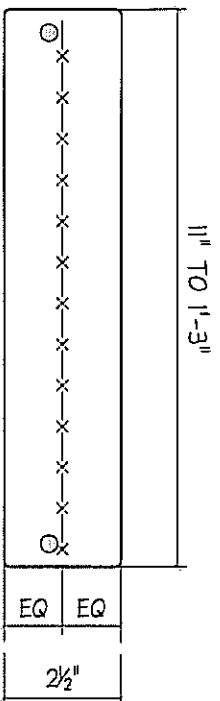
Date: 3/17/2009

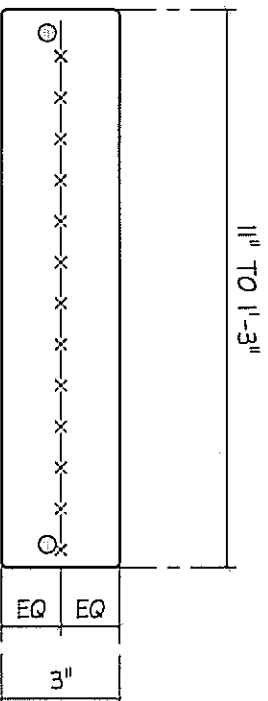
**OLYMPIAN
PRECAST, INC.**

P.O. BOX 539
REDMOND, WA 98073-0539
PHONE 425.868.1922, FAX 425.868.1400
www.olymprecast.com

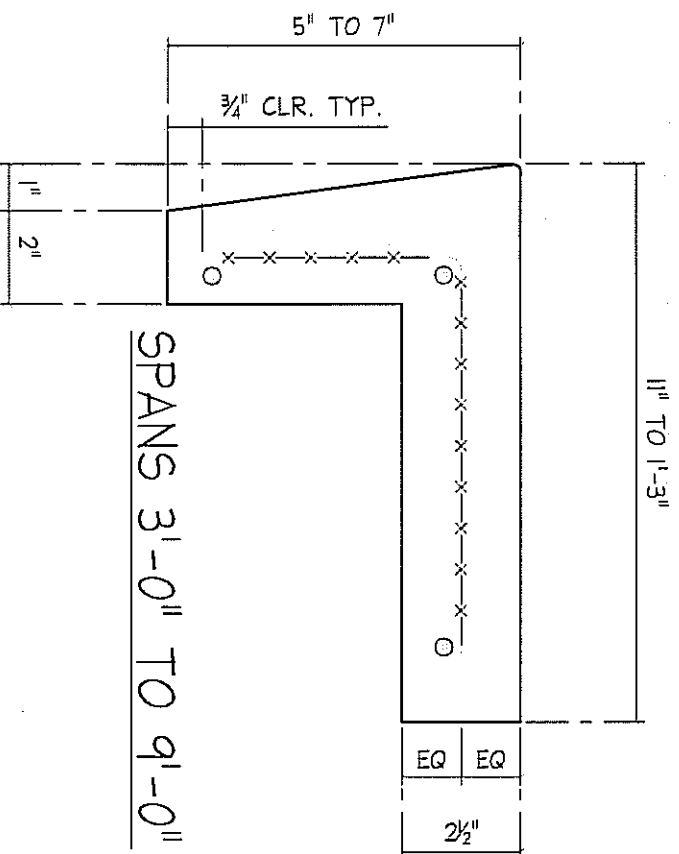
TYP BOLTED STAIR TREAD CONNECTION	
Drn. By	KS
Sheet:	T3
Date:	3/17/2009



SPANS 3'-0" TO 6'-0"



SPANS 3'-0" TO 9'-0"



SPANS 3'-0" TO 9'-0"



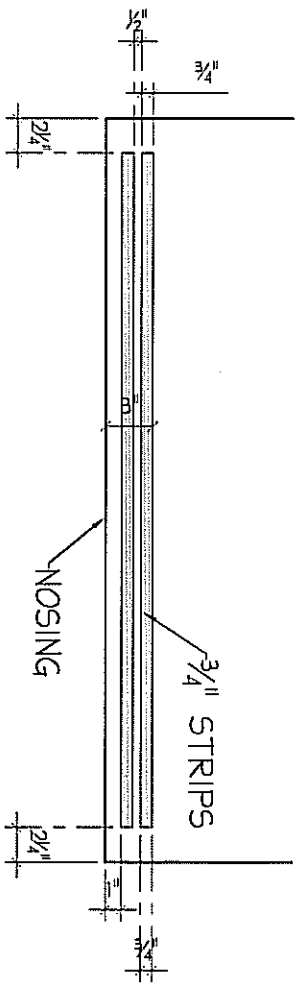
OLYMPIAN
PRECAST, INC.

P.O. BOX 539
REDMOND, WA 98073-0539
PHONE 425.868.1922, FAX 425.868.1400
www.olymprecast.com

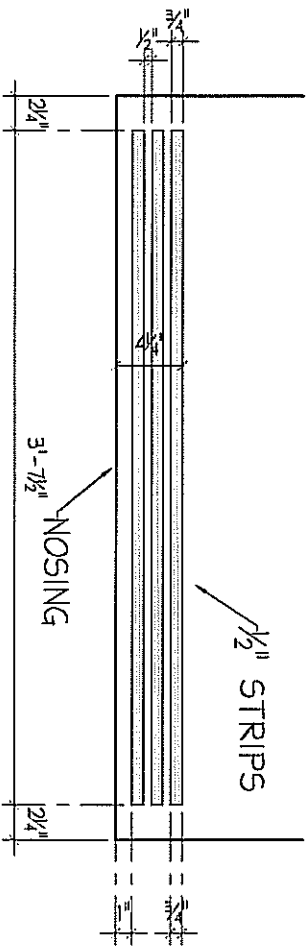
STAIR TREAD REINFORCING

Drn. By KS

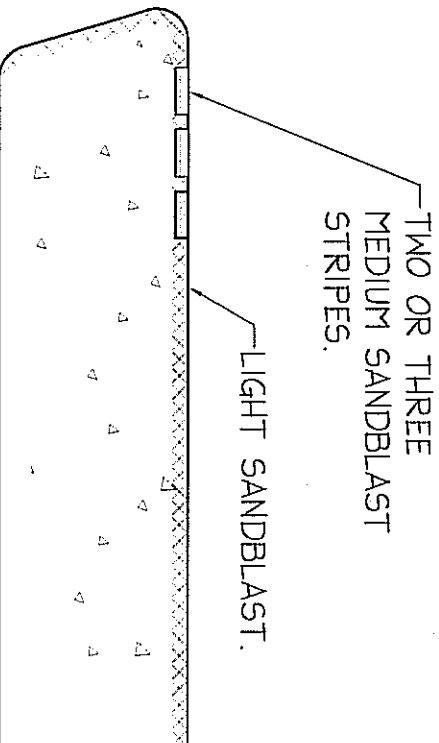
Sheet: T4
Date: 3/17/2009



TREAD PLAN W/2 STRIPES



TREAD PLAN W/3 STRIPES



ENLARGED
TREAD END VIEW



**OLYMPIAN
PRECAST, INC.**

P.O. BOX 539
REDMOND, WA 98073-0539
PHONE: 425.868.1922, FAX 425.868.1400
www.olymprecast.com

STAIR TREAD SANDBLAST TEMPLATE

Dim. By KS

Sheet: T5
Date: 3/17/2009