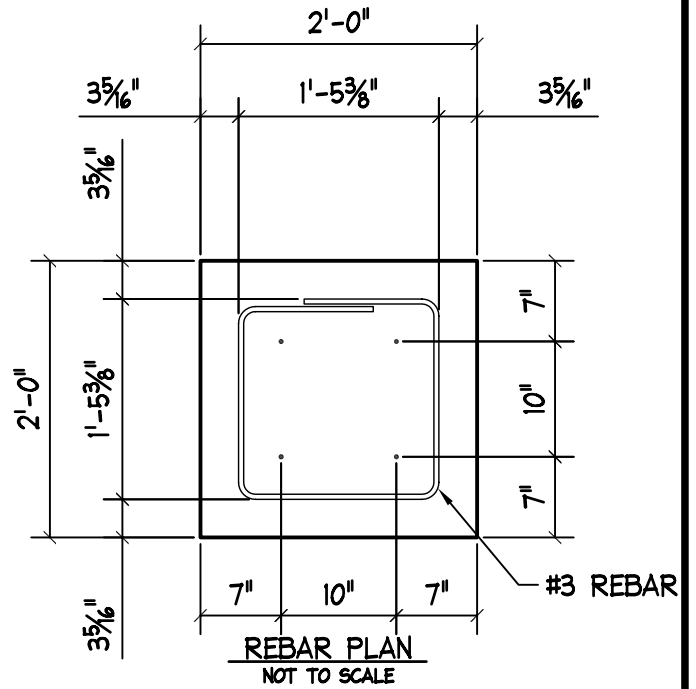
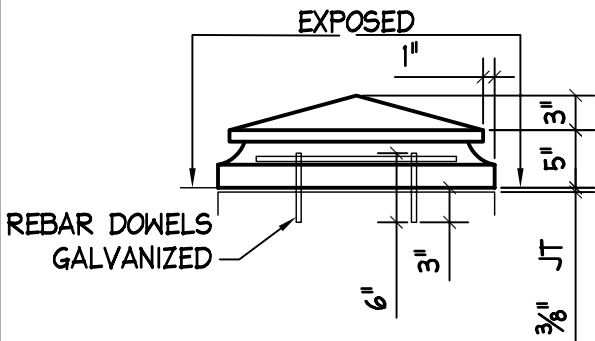


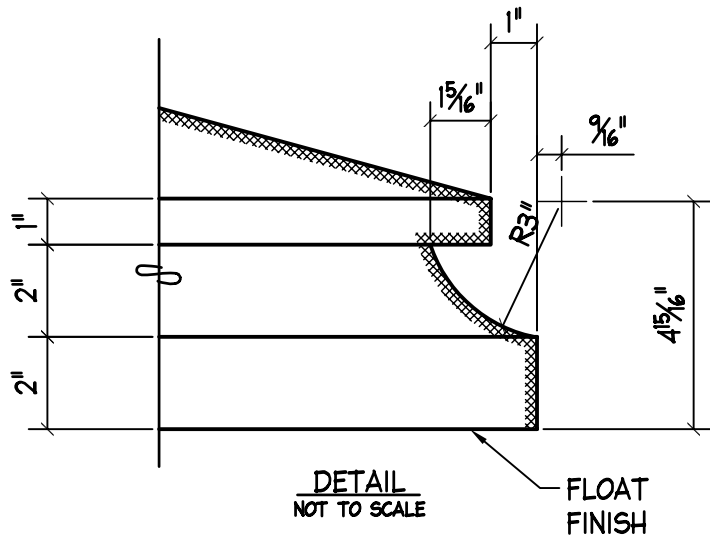
PLAN
NOT TO SCALE



REBAR PLAN
NOT TO SCALE



ELEVATION
NOT TO SCALE



DETAIL
NOT TO SCALE

FLOAT
FINISH

SCALE:



OLYMPIAN PRECAST INC.

P.O. BOX 539 - REDMOND, WA 98073-0539 - PHONE 425.868.1922
eMail: drafting@olymprecast.com FAX: 425.868.1400

Drn. By **JRS**

Date **8/1/2003**

Job Name **SKAGIT CAP**

Job No.

Sheet