

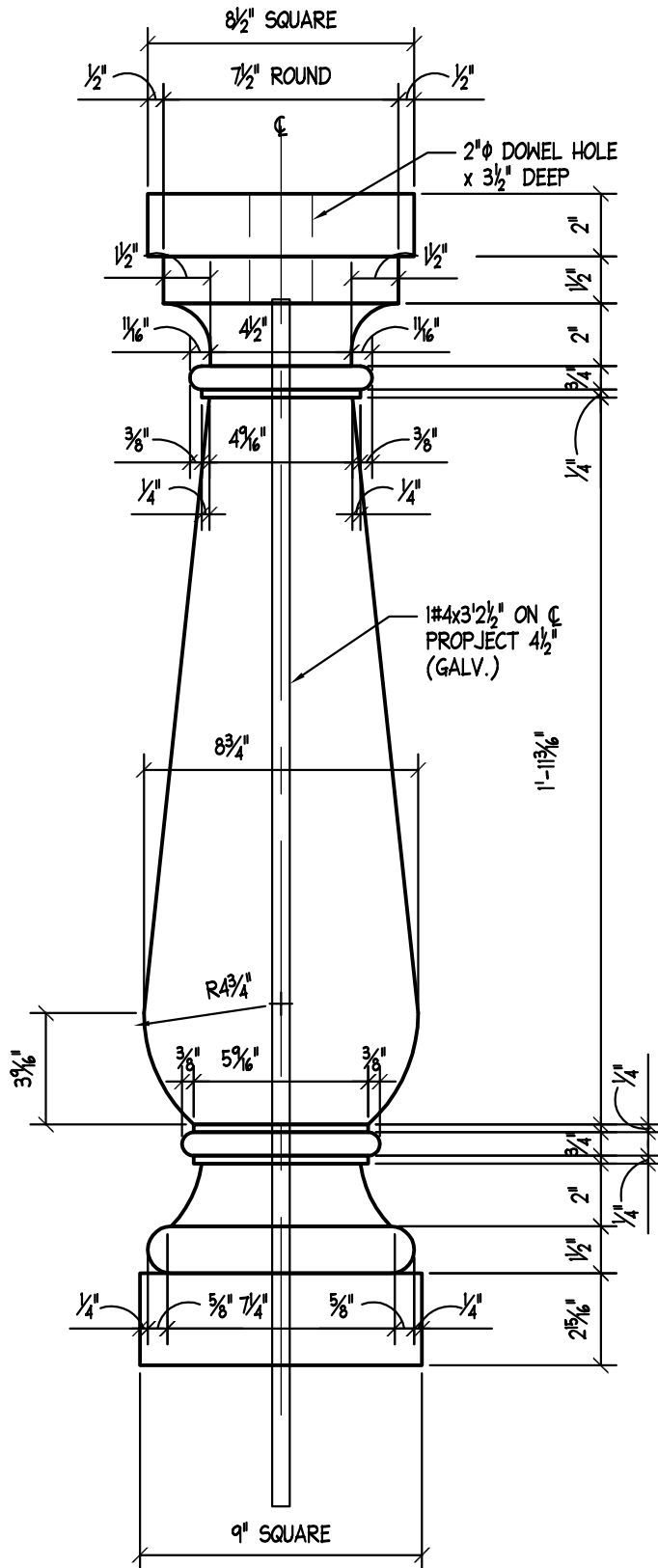
Krista Rengve 11/9/2010 8:52 AM G:\LIBRARY\marketing\Baluster.dwg



OLYMPIAN
PRECAST, INC.

P.O. BOX 539
REDMOND, WA 98073-0539
PHONE 425.868.1922, FAX 425.868.1400
www.olymprecast.com

Job Name		BALUSTER
Job No.	Sheet:	
Drn. By	kristar	Date:



Krista Rongve 11/9/2010 8:54 AM G:\LIBRARY\marketing\Baluster.dwg



P.O. BOX 539
 REDMOND, WA 98073-0539
 PHONE 425.868.1922, FAX 425.868.1400
 www.olymprecast.com

Job Name		BALUSTER
Job No.	Sheet:	
Drn. By	kristar	Date: