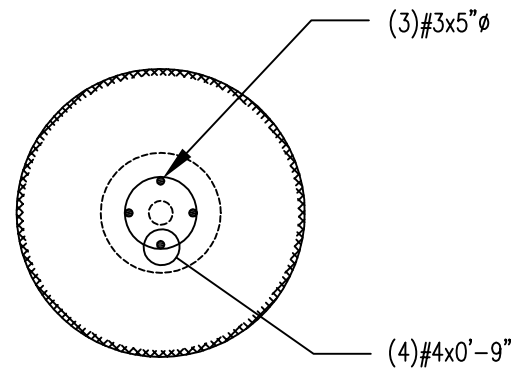
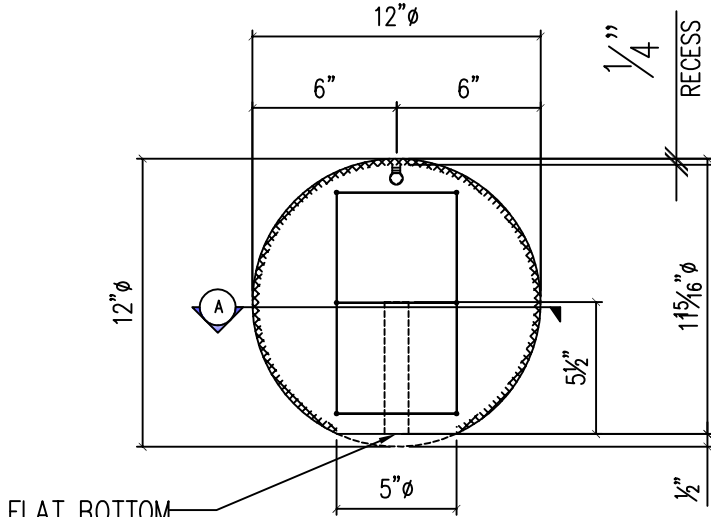


PLAN VIEW



SECTION A



ELEVATION

FOR PRODUCTION

F-12
WT: 81 LBS



P.O. BOX 539
REDMOND, WA 98073-0539
PHONE 425.868.1922, FAX 425.868.1400
www.olymprecast.com

Job Name	12" PC FINIAL/SPHERE	
Job No.		Sheet:
Drn. By		Date: 9/18/2014