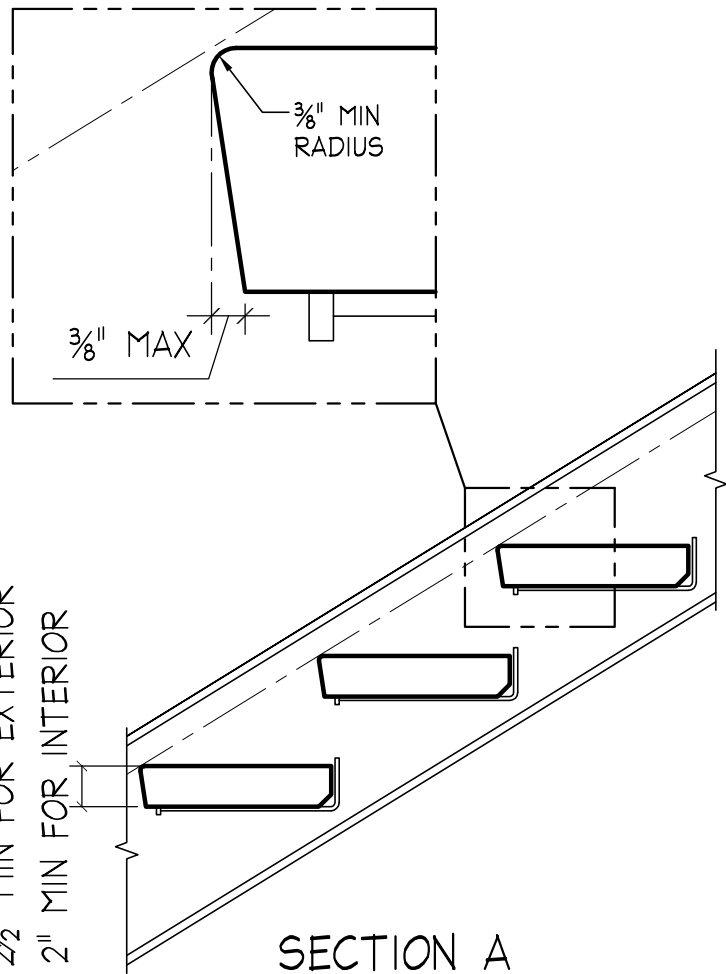
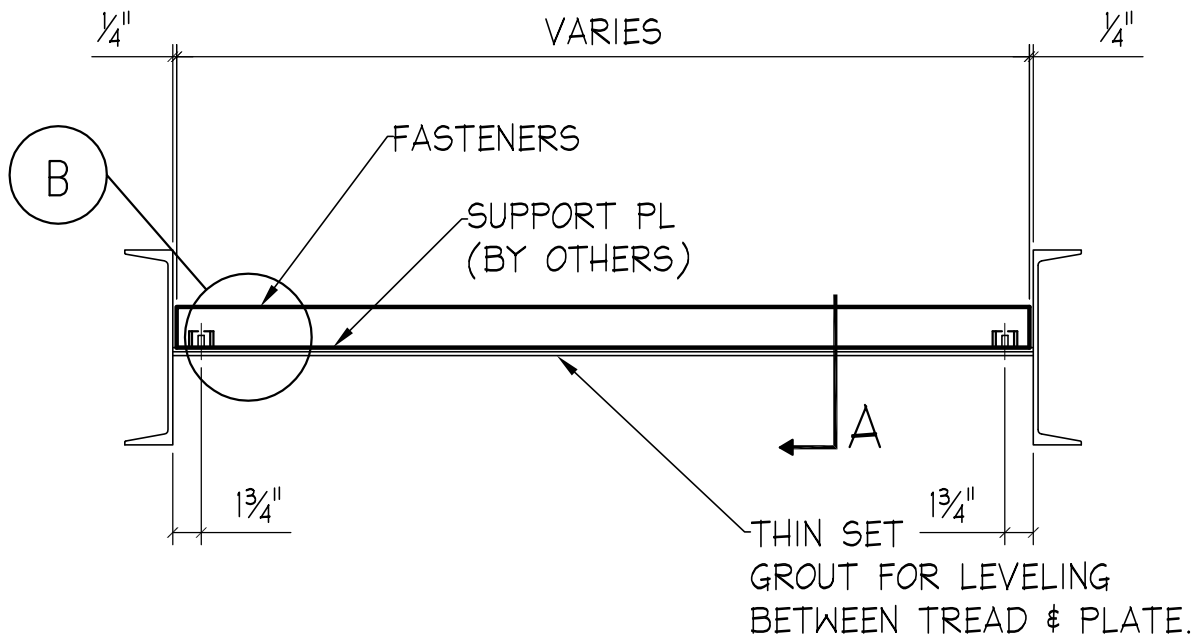


DETAIL B
TYP. PIN STAIR
TREAD CONNECTION



SECTION A



P.O. BOX 539
REDMOND, WA 98073-0539
PHONE 425.868.1922, FAX 425.868.1400

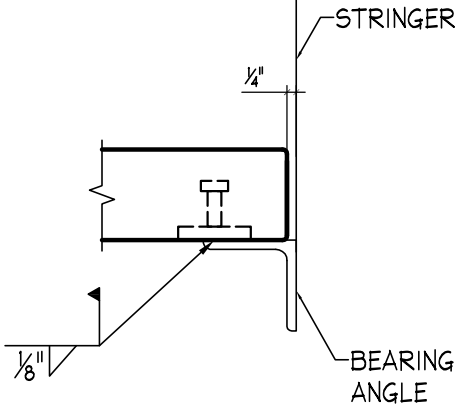
www.olymprecast.com

TYP. DOWEL STAIR TREAD CONNECTION.

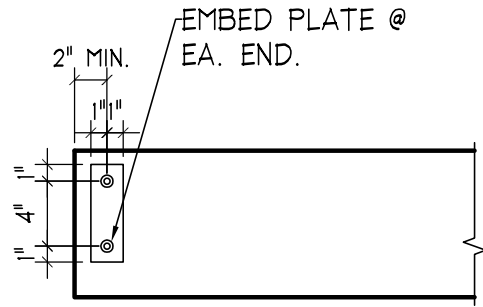
Sheet: T1

Drn. By KS

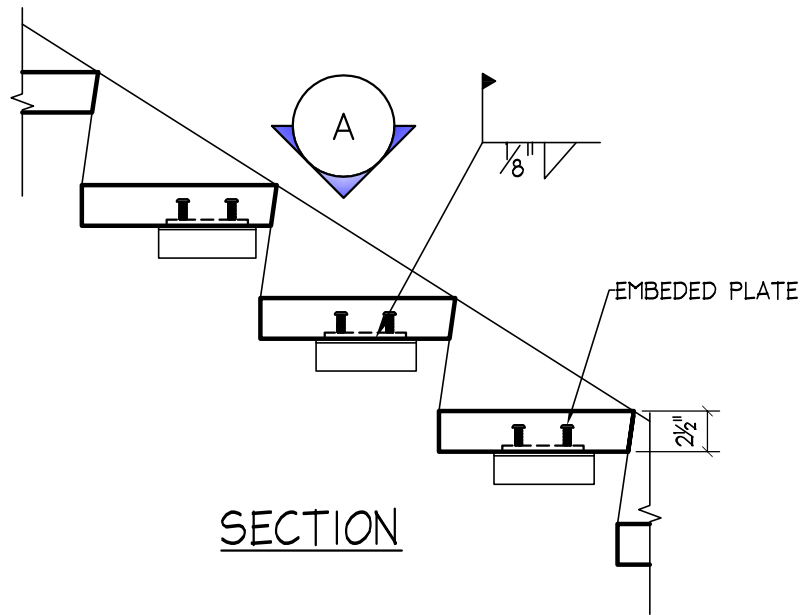
Date: 7/14/2016



DETAIL B
PARTIAL FRONT VIEW



DETAIL A
PARTIAL TOP VIEW



SECTION

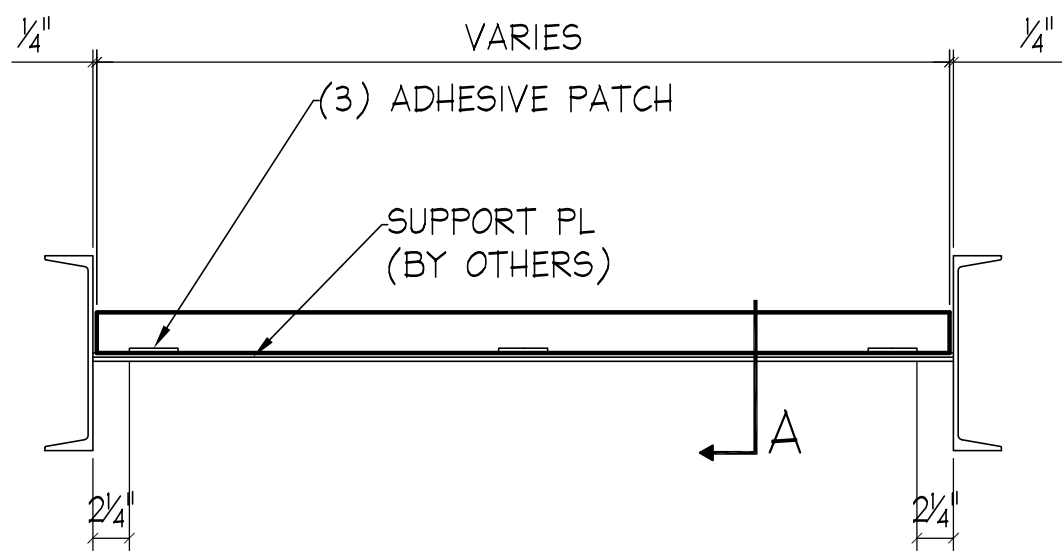
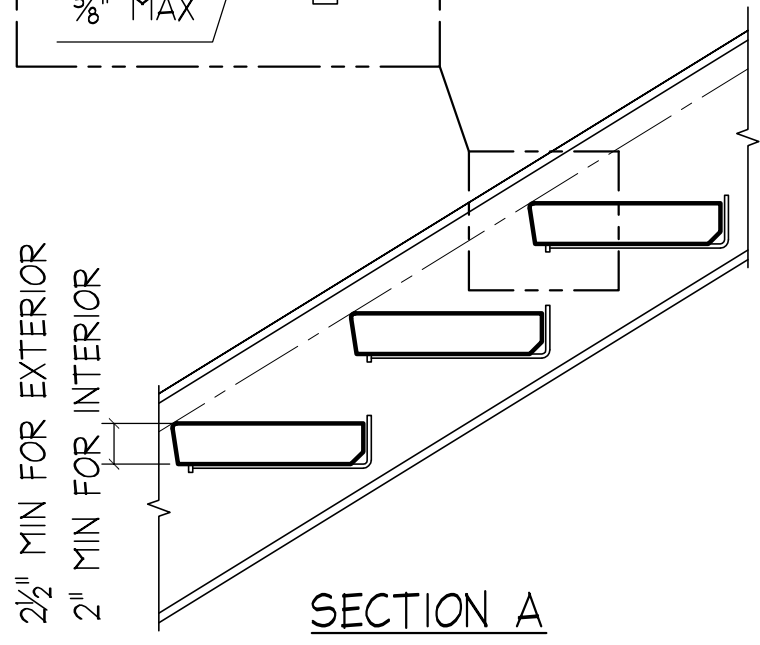
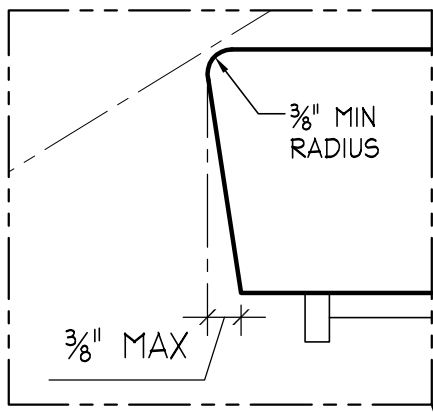
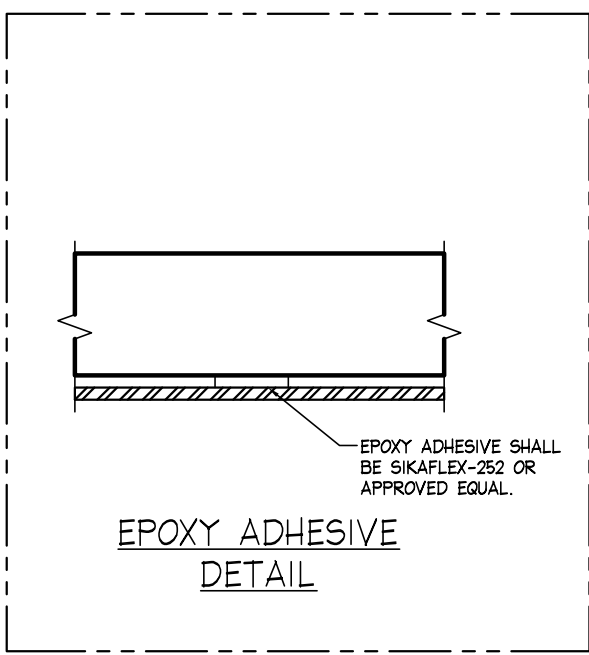
Krista Rongve 7/14/2016 9:08 AM N:\Marketing\CAD & PDF\TREAD DETAILS.dwg



P.O. BOX 539
REDMOND, WA 98073-0539
PHONE 425.868.1922, FAX 425.868.1400
www.olymprecast.com

EPOXY ADHESIVE TREAD

Sheet:	T2
Drn. By	KS
Date:	7/14/2016



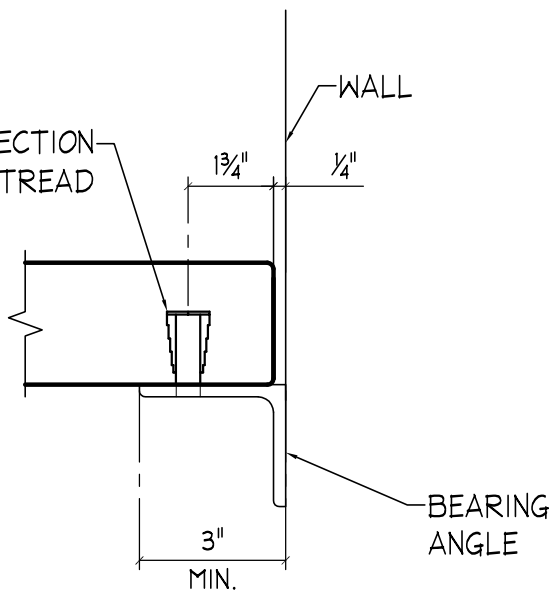
Krista Rongve 7/14/2016 9:08 AM N:\Marketing\CAD & PDF\TREAD DETAILS.dwg



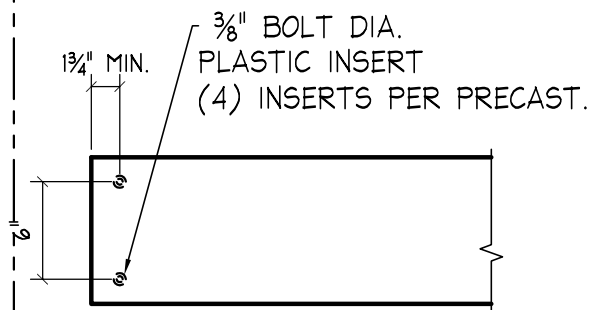
P.O. BOX 539
 REDMOND, WA 98073-0539
 PHONE 425.868.1922, FAX 425.868.1400
 www.olymprecast.com

EPOXY ADHESIVE TREAD	
Drn. By	KS
Sheet:	T3
Date:	7/14/2016

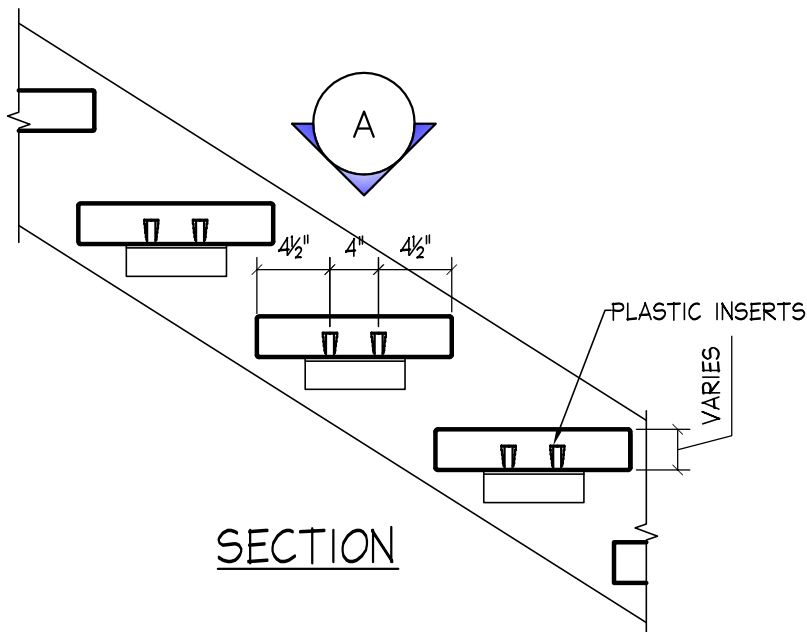
BOLTED CONNECTION
(4) PER TREAD



DETAIL B
PARTIAL FRONT VIEW



DETAIL A
PARTIAL TOP VIEW



SECTION



OLYMPIAN
PRECAST, INC.

P.O. BOX 539
REDMOND, WA 98073-0539
PHONE 425.868.1922, FAX 425.868.1400

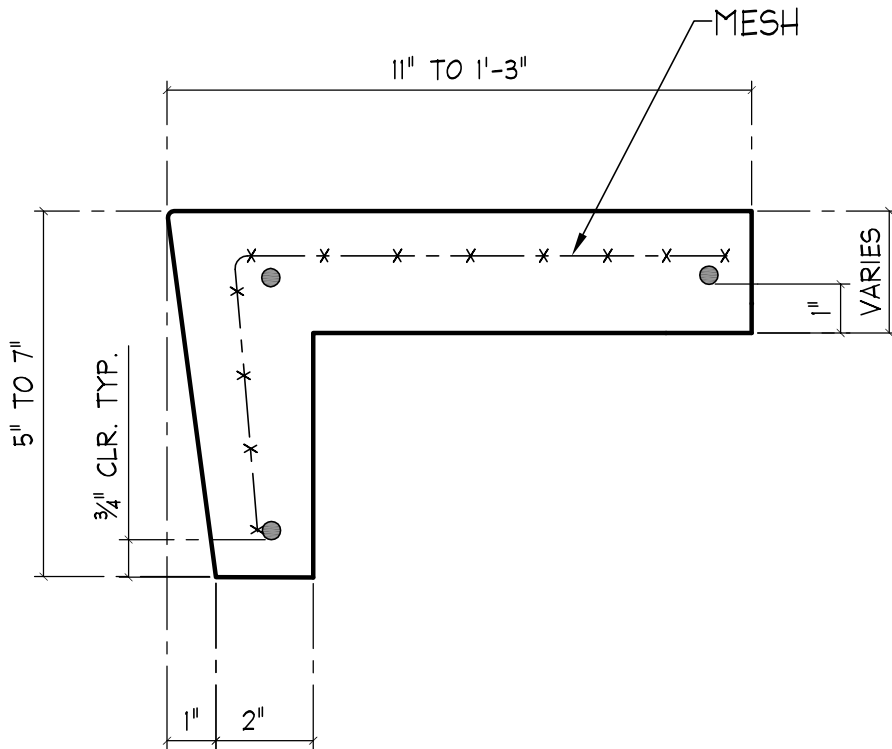
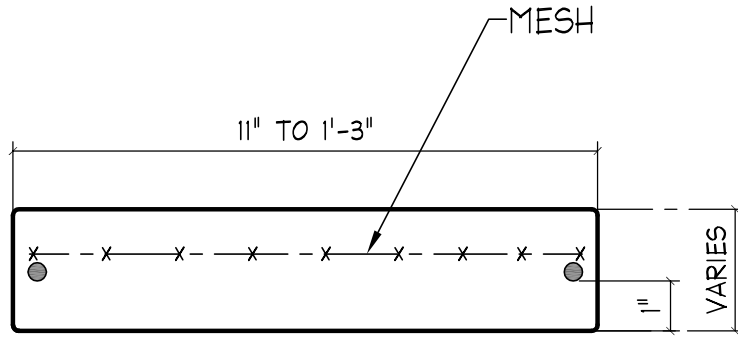
www.olymprecast.com

TYP BOLTED STAIR TREAD CONNECTION

Sheet: T4

Drn. By KS

Date: 7/14/2016



**OLYMPIAN
PRECAST, INC.**

P.O. BOX 539
REDMOND, WA 98073-0539
PHONE 425.868.1922, FAX 425.868.1400

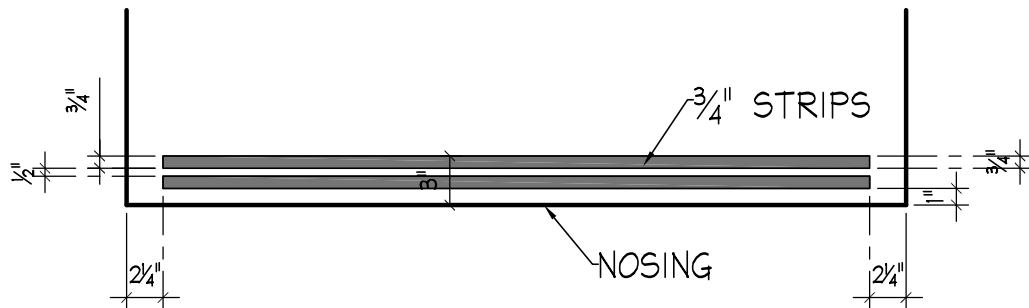
www.olymprecast.com

STAIR TREAD REINFORCING

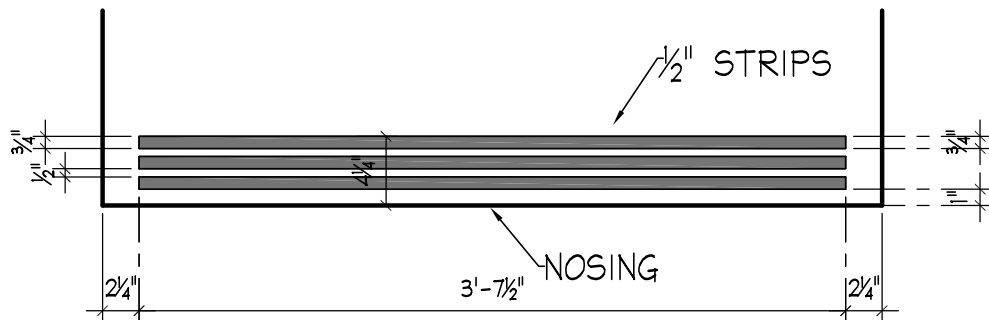
Sheet: T5

Drn. By KS

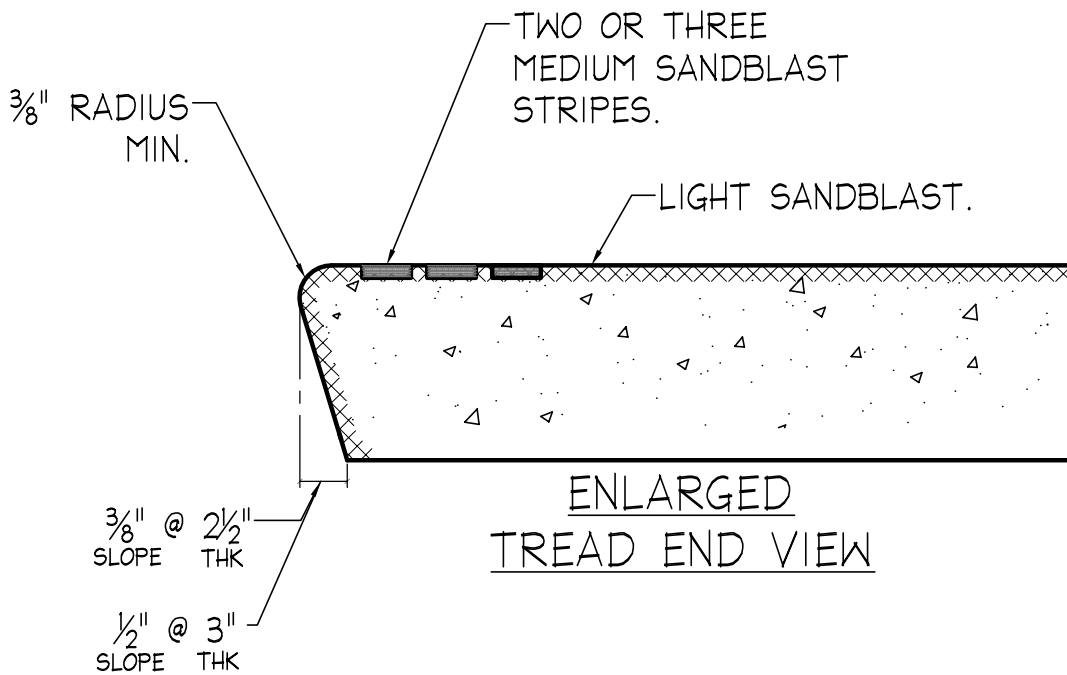
Date: 7/14/2016



TREAD PLAN W/2 STRIPES



TREAD PLAN W/3 STRIPES



ENLARGED TREAD END VIEW



P.O. BOX 539
 REDMOND, WA 98073-0539
 PHONE 425.868.1922, FAX 425.868.1400

www.olymprecast.com

STAIR TREAD SANDBLAST TEMPLATE

Sheet: T6

Drn. By KS

Date: 7/14/2016